

General Safety Information

⚠ WARNING – To avoid serious injuries:

- Check that the wheels are fastened securely before riding the bicycle. If the wheels are loose in any way, they may come off the bicycle and serious injury may result.
- Obtain and read the service instructions carefully prior to installing the parts. Loose, worn or damaged parts may cause the bicycle to fall over and serious injury may occur as a result. We strongly recommend only using genuine Shimano replacement parts.
- Read these Technical Service Instructions carefully, and keep them in a safe place for later reference.

Note

- If the wheel becomes stiff and difficult to turn, you should lubricate it with grease.
- Do not apply any lubricant to the inside of the hub, otherwise the grease will come out.
- Parts are not guaranteed against natural wear or deterioration resulting from normal use.
- For maximum performance we highly recommend Shimano lubricants and maintenance products.
- For any questions regarding methods of handling or adjustment, please contact the place of purchase.

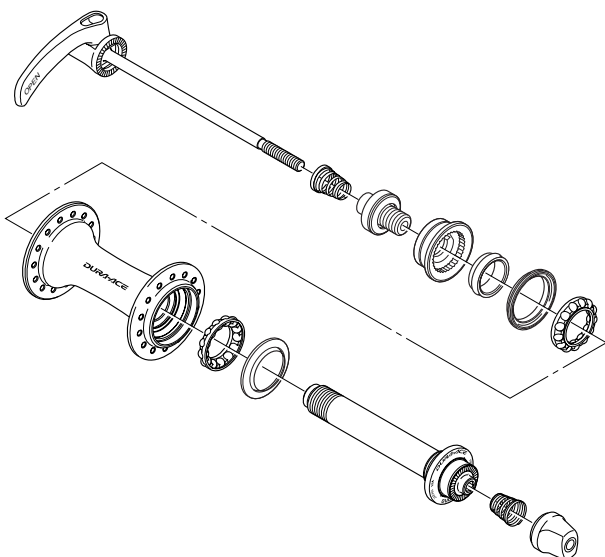
Technical Service Instructions SI-26T0A-001

HB-7900

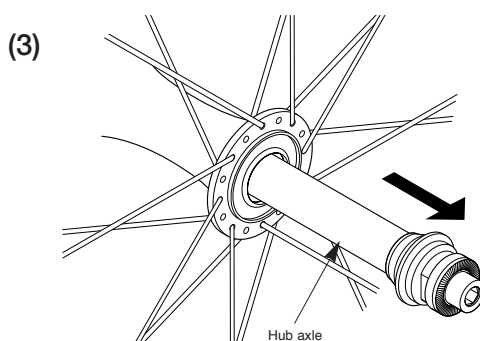
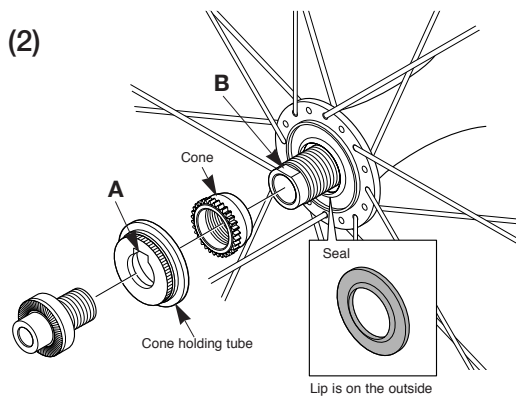
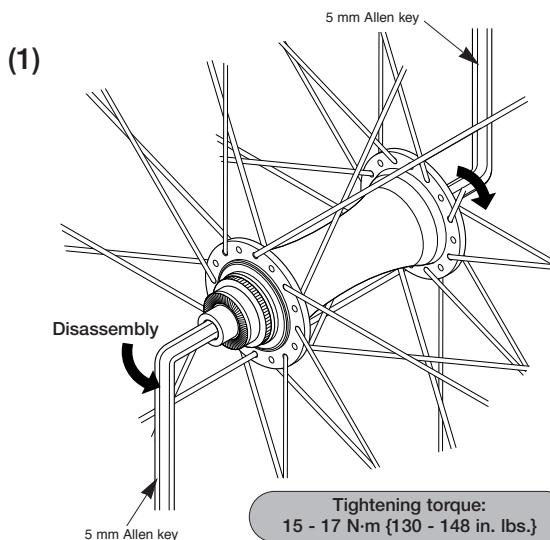
Front hub

Note:

The HB-7900 front hub can be disassembled as shown in the illustration. However, do not disassemble the front hub any further than this. If it is disassembled any further, it will not be possible to reassemble it.



- First, pull out the hub axle by following the procedure shown in the illustration. Disassembly from the right side is not possible.



Note:

- When removing and installing the seal, do it very carefully so that the seal does not become bent. When reinstalling the seal, make sure that it is facing the right way, and insert it as far as it will go.
- Tighten the cone onto the hub axle until it has no looseness. While aligning the knurls of the cone and the knurls of the cone holding tube, align section A of the cone holding tube with section B on the hub axle.

SHIMANO

SHIMANO AMERICAN CORPORATION
One Holland, Irvine, California 92618, U.S.A. Phone: +1-949-951-5003

SHIMANO EUROPE B.V.
Industrieweg 24, 8071 CT Nunspeet, The Netherlands Phone: +31-341-272222

SHIMANO INC.
3-77 Oimatsu-cho, Sakai-ku, Sakai-shi, Osaka 590-8577, Japan

Please note: specifications are subject to change for improvement without notice. (English) © Apr. 2008 by Shimano Inc. XBC SZK Printed in Japan.