

SS-50/C MOTHERBOARD
and BAUD RATE GENERATOR

User's Manual

COPYRIGHT ©1980
GIMIX Inc.
1337 W. 37th Place
Chicago, IL 60609
312-927-5510 * TWX 910-221-4055

All Rights Reserved

Reproduction of this manual, in whole or part, by any means, without express written permission from GIMIX, Inc. is strictly prohibited.

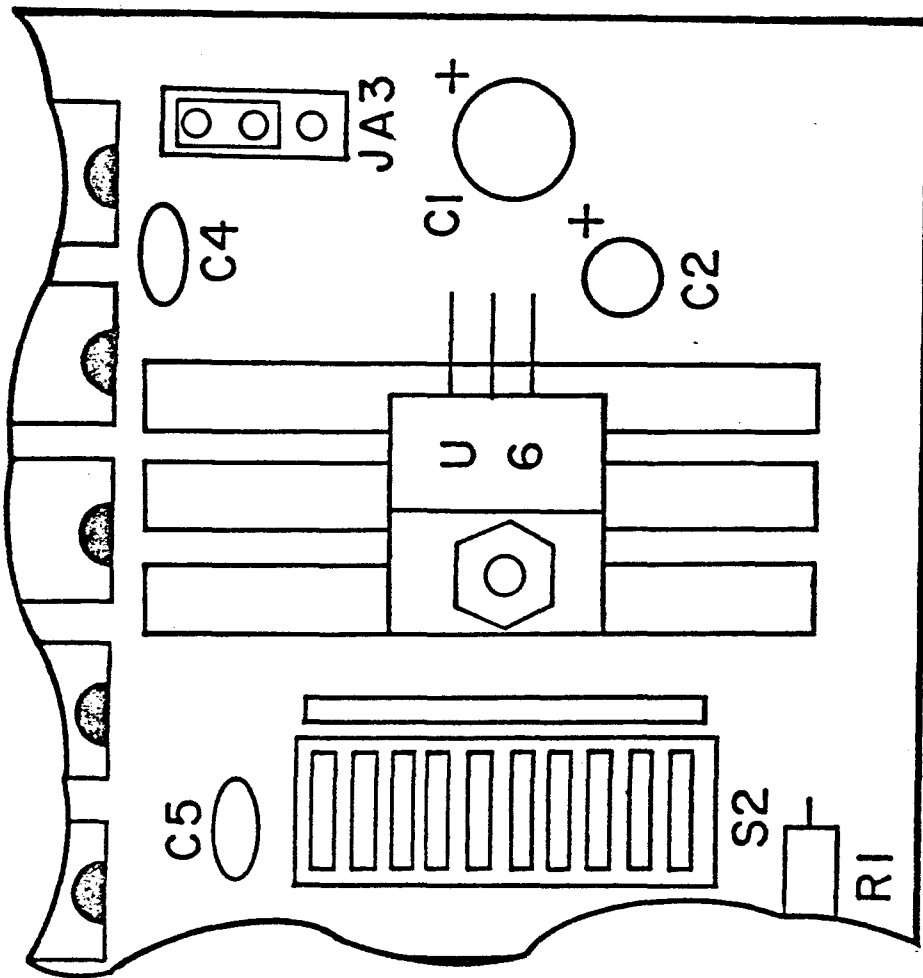
GIMIX™ and GMX™ are trademarks of GIMIX, Inc. Chicago, IL 60609

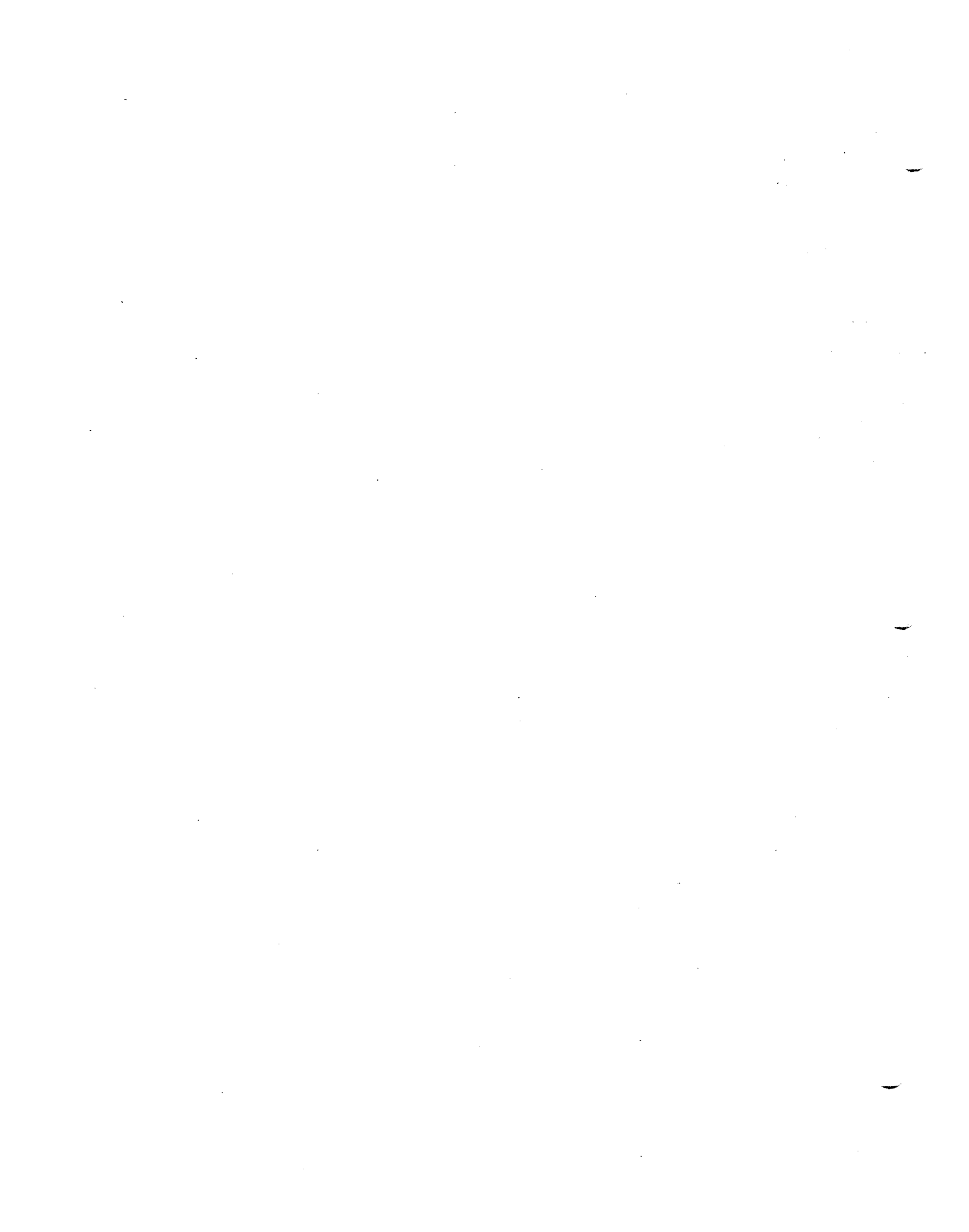


* * * IMPORTANT * * *

SLOW I/O MUST BE ENABLED
BY JUMPERING JA-3 AS SHOWN
WHEN 3-PORT SERIAL I/O PROCESSORS
ARE INSTALLED IN GIMIX SYSTEMS

GIMIX MOTHER BOARD





6800-6809 MOTHER BOARD

INTRODUCTION

The GIMIX GHOST MOTHER BOARD provides bus interconnections and physical support for the other boards in the GIMIX GHOST computer. It has 15 slots for full-sized (SS-50) boards, and 8 slots for I/O-sized (SS-30) boards, plus a special 10 pin slot for the baud rate generator. The board has many features which make it very versatile and easy to use in a variety of applications and configurations.

FEATURES

- * Fully compatible with the SS-50 (6800) and SS-50C (6809) buses.
- * Gold bus connectors
- * 4, 8, or 16 decoded addresses per I/O slot
- * Extended address decoding for the I/O section
- * The I/O block is DIP-switch addressable to any 32, 64, or 128 byte boundary (depending on the selected number of addresses per slot).
- * Baud rate generator (75 to 38,400 baud)
- * All data, address, and control lines are terminated and separated by noise reducing ground lines.

HARDWARE CONFIGURATION

I/O SLOT SIZE

There are two ways to change the I/O slot size depending on the users needs. The board is normally supplied with one 74LS244 IC. installed at location U-5 and DIP-switch S2-3 ON (CLOSED). This selects 16 decoded addresses per I/O slot which is normal for 6809 systems. To select either 4 or 8 addresses per slot move the 74LS244 to location U-3 (4 addresses) or U-4 (8 addresses) and set the corresponding section of S-2 ON (S2-1 for 4 and S2-2 for 8).

If you wish to be able to change I/O slot size by DIP-switch alone without moving the 74LS244 you can install additional 74LS244s at locations U-3 and U-4 and turn on the proper switch section for the desired slot size. NOTE: BE SURE ONLY THE DIP-SWITCH SECTION CORRESPONDING TO THE DESIRED SLOT SIZE IS ON, THE OTHER 2 OF THE 3 SECTIONS (S2-1,2,3,) THAT CONTROL SLOT SIZE MUST BE OFF.

Regardless of the method selected for determining I/O slot size, when using 8 addresses per slot, S2-4 (A5) MUST BE OFF (OPEN) for correct address decoding. When using 16 addresses per slot, S2-4 (A5) and S2-5 (A6) MUST BE IN THE OFF (OPEN) POSITION for correct decoding.

I/O BLOCK ADDRESSING

The entire I/O block is enabled or disabled by S1, section 1. The base address of the I/O block is set by DIP-switch S1; sections 2, 3, 4, and 5 ; and S2, sections 3, 4, 5, 6, 7, 8, 9, and 10. Extended address decoding for the I/O block is enabled or disabled by S1; section 6, and set by S1; sections 7, 8, 9, and 10.

If S1-1 is ON (CLOSED) the entire I/O block is disabled and does not appear in the address space. S1-1 should be set OFF (OPEN) to enable the I/O section.

S1; sections 2 through 5, correspond to address bits A12 through A15 respectively and S2; sections 4 through 10 correspond to A5 through A11. These switches should be set to match the bit pattern for the desired base address. A switch set ON (CLOSED) corresponds to a 1 in that bit position and a switch set OFF (OPEN) corresponds to a 0.

If S1-6 is OFF (OPEN) extended address decoding is disabled and the board only decodes the regular 16 address lines. If S1-6 is ON (CLOSED) the I/O block responds to both the regular 16 address lines and the 4 SS-50C extended address lines. When extended address decoding is enabled, the desired extended address is set using S1; sections 7 through 10, which correspond to address lines A16 through A19. A switch set ON (CLOSED) corresponds to a 1 in that bit position and a switch set OFF (OPEN) corresponds to a 0.

ADDRESSING EXAMPLE

STANDARD ADDRESS CONFIGURATION FOR 6809 SYSTEMS USING GMXBUG-09 AND GIMIX FLEX™

S2				S1			
SECTION	SETTING			SECTION	SETTING		
1	OFF	4	16 ADDR.	1	OFF	I/O ENABLE	
2	OFF	8	PER SLOT	2	OFF	A12 = 0	
3	ON	16		3	ON	A13 = 1	
4	OFF	A5	MUST BE	4	ON	A14 = 1	
5	OFF	A6	OFF	5	ON	A15 = 1	
6	OFF	A7	= 0	6	OFF	EXT ADD OFF	
7	OFF	A8	= 0	7	X	DON'T CARE	
8	OFF	A9	= 0	8	X	DON'T CARE	
9	OFF	A10	= 0	9	X	DON'T CARE	
10	OFF	A11	= 0	10	X	DON'T CARE	

THE ABOVE EXAMPLE SHOWS THE BOARD SET FOR 16 ADDRESS PER I/O SLOT, I/O BOCK ENABLED AT \$E000, AND EXTENDED ADDRESSING DISABLED. NOTE: S2,4 and 5 must be off when using 16 addresses per slot.

JUMPER OPTIONS

BAUD RATE OPTION JUMPER (JA-1)

JA-1 is used to connect the baud rate lines from the 30 pin I/O bus to the corresponding lines on the 50 pin bus. This jumper area consists of 2 rows of 5 pins which can be strapped as required using wire-wrap or standard 0.1" jumper blocks. Do not install jumpers if the extended address lines are being used. Figure A, of the switch and jumper options drawing shows the pinouts for JA-1.

INTERRUPT OPTION * UD-1 UD-2 JUMPER (JA-2)

JA-2 is used to connect either the NMI line or the 6809 FIRQ line from the 50 pin bus to the FIRQ/NMI line of the 30 pin bus. Figures C and D of the switch and jumper options drawing show the proper jumper position for connecting either interrupt to the 30 pin bus. This jumper area also provides external connection points for the SS-50 user defined lines: UD-1 and UD-2. Figure B shows the pinouts of JA-2.

SLOW I/O OPTION JUMPER (JA-3)

The motherboard includes a slow I/O circuit for use with 6809 systems. When enabled the circuit generates a pulse on the 6809 MRDY line each time an I/O port is accessed by the processor. This allows slower I/O devices, such as disk controllers, to be used in systems with 1.5 or 2 MHz. clock speeds. Figures E, F, and G of the switch and jumper options drawings show the pinout of JA-3 and the proper jumper positions for slow I/O ON and OFF.

PIO DISK OPTION * UD-3 UD-4 JUMPER

When using 30 pin PIO (programmed I/O) disk controllers such as the GIMIX 5/8 or DOUBLE DENSITY PIO controllers at 4 addresses per I/O slot, a jumper is required to connect the I/O select line from I/O port #5 to the RS-2 (UD-3) line of the 30 pin bus. JA-4 provides this jumper option. Figures H, I, and J show the pinouts and jumper positions for JA-4. This jumper area also provides external connection points for the user defined lines UD-3 and UD-4 in 6800 applications.

TERMINATION OPTIONS JA-5

JA-5 provides two options for terminating the SS-50C MRDY / SS-50 MRST and the SS-50C BUSY / SS-50 NMI bus lines. These lines are normally pulled-up to the +5V supply with the jumpers shown in figure L of the switch and jumper option drawing. By changing the jumpers these lines can be connected to passive terminating networks, instead of the pull-ups, for special applications. Figure K shows the pinouts of JA-5

EXTERNAL CONNECTIONS

POWER SUPPLY CONNECTIONS

Power connections to the board are provided by solder pads located near the center of the board. The 8V bus is split into two separate sections to allow greater current capacity. The board is normally supplied with wires attached to the pads, for connection to the power supply. These wires are color coded as follows:

BLACK ----- COMMON GROUND RETURN
TAN ----- + 8V DC (First 9 50 pin slots)
RED ----- + 8V DC (Last 6 50 pin slots + I/O section)
YELLOW ---- + 16 V DC
BLUE ----- - 16 V DC

The 8 Volt output of the GIMIX power supply is split into two separate sections with separate fuses. The two fuses can be selected to provide the required current to each of the two motherboard sections. The combined total current rating of the two fuses must not exceed the 30 Amp. maximum capacity of the power supply. Systems are normally supplied with two 15 Amp. fuses installed. The maximum fuse size is limited to 25 Amps. by the fuse clip rating. Fuses rated for 32 Volts should be used to limit voltage drop across the fuse. If 125 or 250 Volt fuses are used the drop at higher current will be excessive.

6800 MASTER RESET CONNECTOR CA-1

The front panel reset switch on GIMIX systems is provided with a 5 pin connector. A matching connector, CA-1, on the motherboard is used to connect the switch to the 6800 reset line MRST. In 6800 systems the reset switch should be connected to the motherboard at CA-1. In 6809 systems the reset switch connects directly to a matching connector on the GIMIX 6809 CPU board and CA-1 is not used. The connectors are polarized to prevent improper installation. Figure o of the switch and jumper drawing shows the pinouts for CA-1

PILOT LIGHT CONNECTOR CA-2

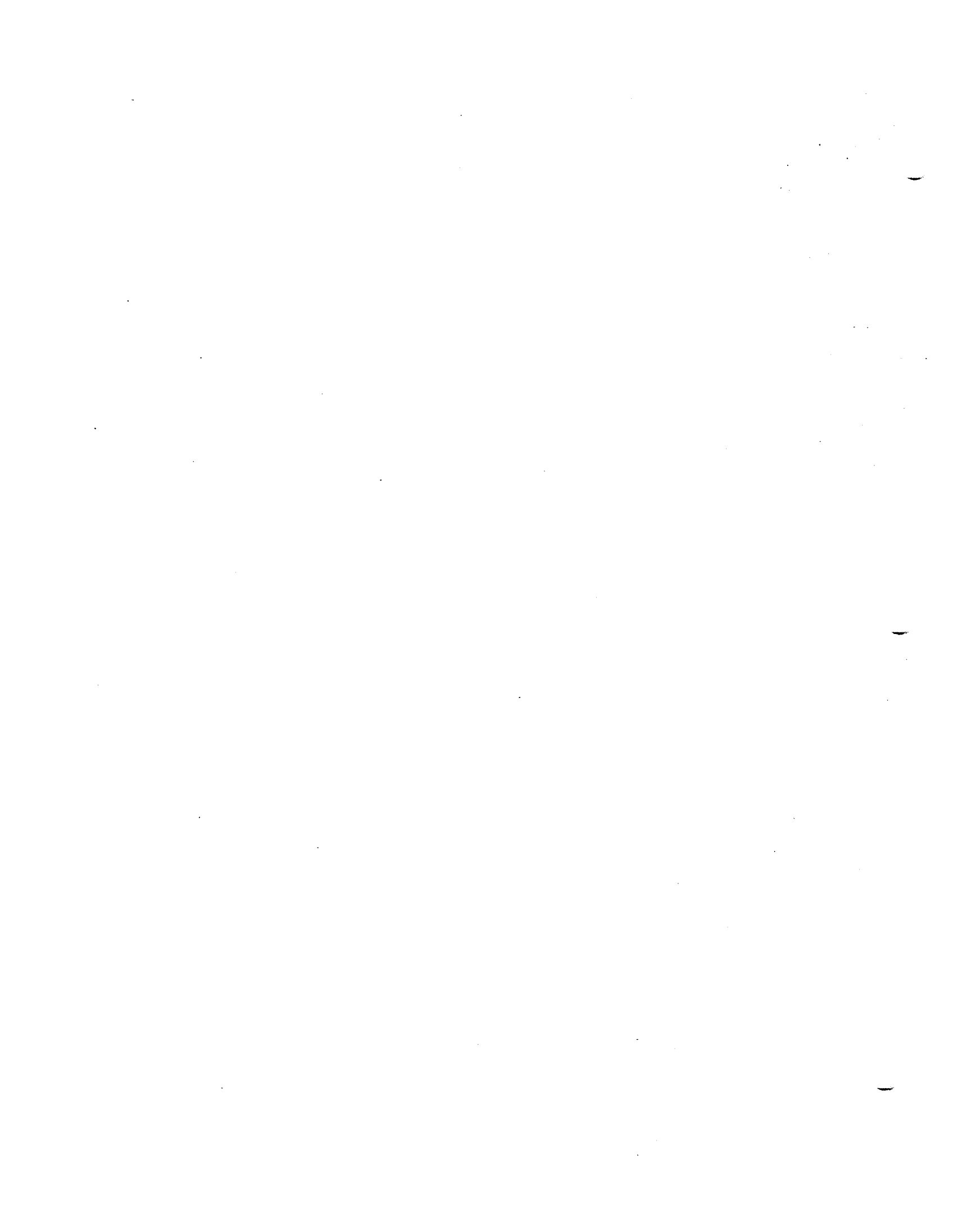
CA-2 provides power and ground connections for the LED power indicator on the front panel of GIMIX systems. Figure P of the switch and jumper drawing shows the pinouts of CA-2.

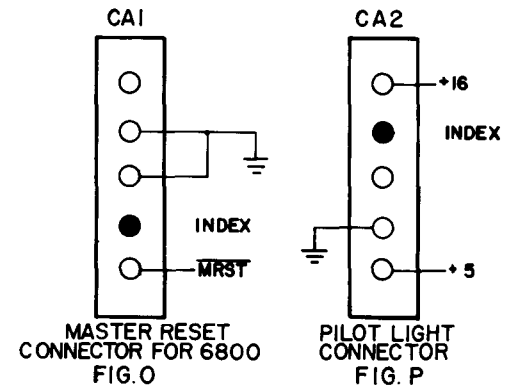
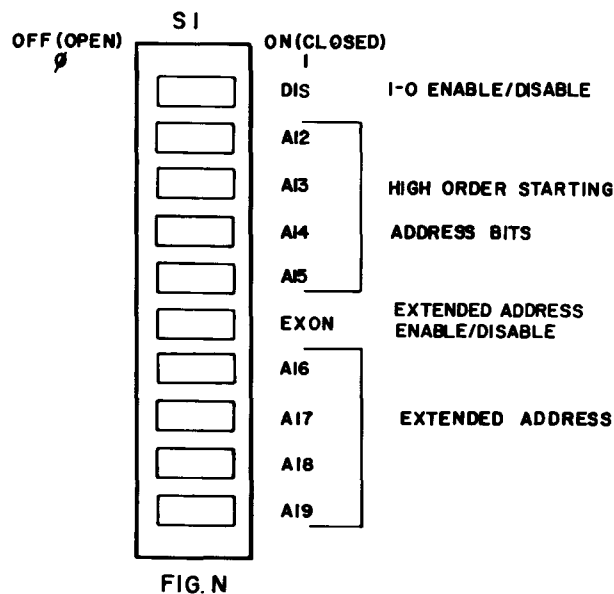
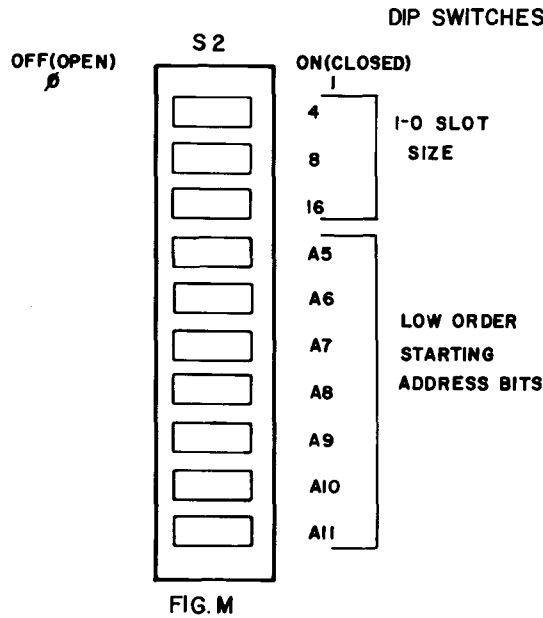
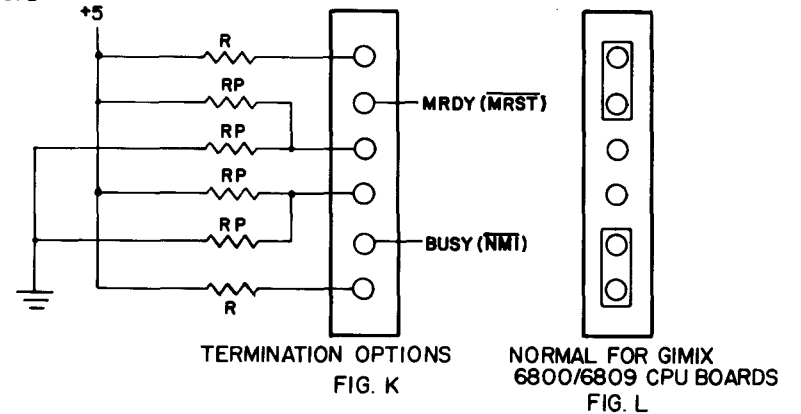
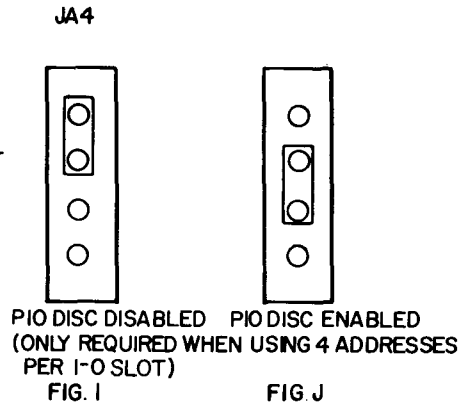
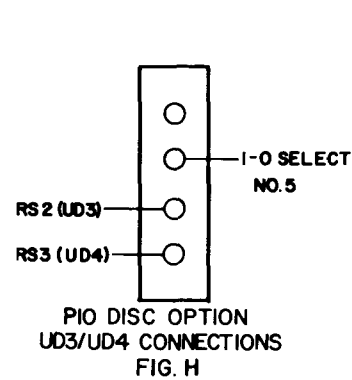
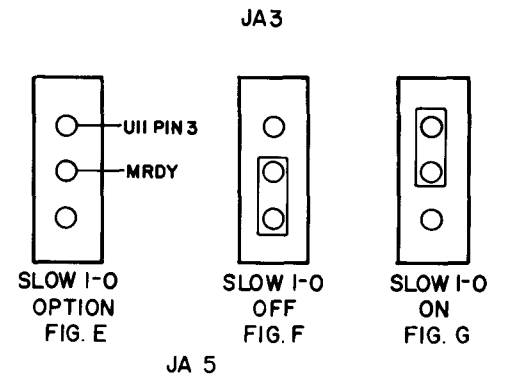
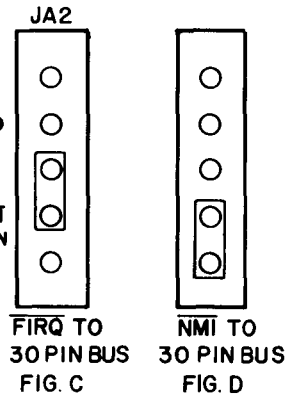
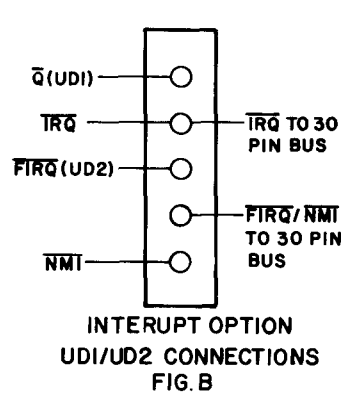
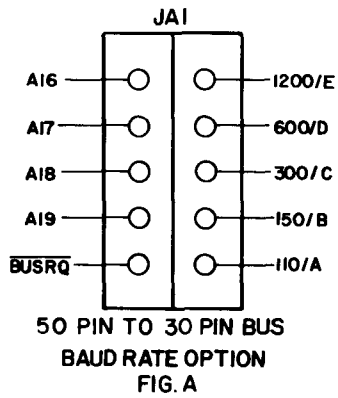
SS-50 BUS DESIGNATIONS

SS-50	GIMIX	SS-50C	SS-30	GIMIX	SS-30C
D0	D0	D0	UD3	RS2	RS2
D1	D1	D1	UD4	RS3	RS3
D2	D2	D2	-12	-16	-16
D3	D3	D3	+12	+16	+16
D4	D4	D4	GND	GND	GND
D5	D5	D5	GND	GND	GND
D6	D6	D6	INDEX	INDEX	INDEX
D7	D7	D7	NMI	FIRQ/NMI	FIRQ
A15	A15	A15	IRQ	IRQ	IRQ
A14	A14	A14	RS0	RS0	RS0
A13	A13	A13	RS1	RS1	RS1
A12	A12	A12	D0	D0	D0
A11	A11	A11	D1	D1	D1
A10	A10	A10	D2	D2	D2
A9	A9	A9	D3	D3	D3
A8	A8	A8	D4	D4	D4
A7	A7	A7	D5	D5	D5
A6	A6	A6	D6	D6	D6
A5	A5	A5	D7	D7	D7
A4	A4	A4	02	E	E
A3	A3	A3	R/W	R/W	R/W
A2	A2	A2	+8V	+8V	+8V
A1	A1	A1	+8V	+8V	+8V
A0	A0	A0	1200b	1200b/E	1200b
GND	GND	GND	600b	600b/D	4800b
GND	GND	GND	300b	300b/C	300b
GND	GND	GND	150b	150b/B	9600b
+8V	+8V	+8V	110b	110b/A	110b
+8V	+8V	+8V	RESET	RESET	RESET
+8V	+8V	+8V	I/O SEL	CS	I/O SEL
-12	-16	-16			
+12	+16	+16			
INDEX	INDEX	INDEX			
MRST	MRDY	MRDY			
NMI	NMI/BUSY	BUSY			
IRQ	IRQ	IRQ			
UD2	FIRQ	FIRQ			
UD1	Q	Q			
02	E	E			
VMA	VMA	VMA			
R/W	R/W	R/W			
RESET	RESET	RESET			
BA	BA	BA			
01	BS	BS			
HALT	HALT	HALT			
110b	BUSRQ	BUSRQ or 110b			
150b	S3/A19	9600b or S3			
300b	S2/A18	300b or S2			
600b	S1/A17	4800b or S1			
1200b	S0/A16	1200b or S0			

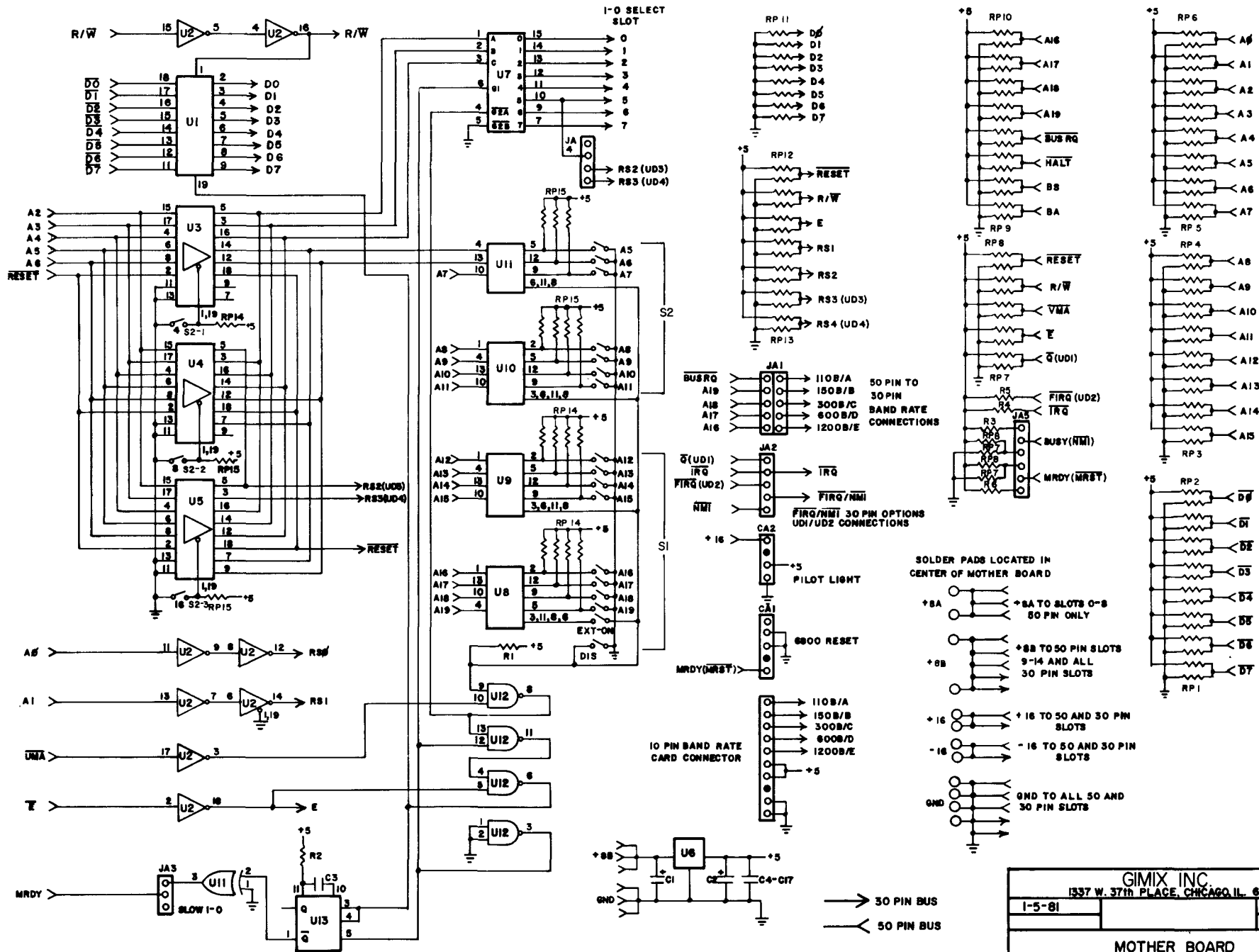
NOTE: THIS CHART DOES NOT INDICATE THE POLARITY OF THE SIGNALS. IT IS ONLY A COMPARISON OF THEIR NAMES.

THE NAMES IN THE "GIMIX" COLUMN REFLECT THE DESIGNATIONS THAT APPEAR ON THE MOTHER BOARD ITSELF AND IN THE DOCUMENTATION. THE ACTUAL SIGNALS AT SOME OF THE PINS DEPENDS ON THE JUMPER CONFIGURATION OF THE BOARD AND THE PARTICULAR CPU CARD INSTALLED.





GIMIX INC.	
1337 W. 37th PLACE, CHICAGO, IL. 60609	
12-29-80	
MOTHER BOARD	
JUMPER OPTIONS & DIP SWITCHES	C24-0049



10 PIN BAND RATE CARD CONNECTOR

BUSRQ
A19
A18
A17
A16

JA1 → 110B/A
→ 150B/B
→ 300B/C
→ 600B/D
→ 1200B/E

50 PIN TO 30 PIN BAND RATE CONNECTIONS

CA2 → +5
CA1 → +5
PILOT LIGHT

MRDY(MRST) →

FIRG(NMI) →

FIRG(UD2) →

TRQ →

IRG →

UD1 →

FIRG/NMI 30 PIN OPTIONS
UDI/UD2 CONNECTIONS

SOLDER PADS LOCATED IN CENTER OF MOTHER BOARD

+8A → +8A TO SLOTS 0-8
50 PIN ONLY

+8B → +8B TO 50 PIN SLOTS
9-14 AND ALL 30 PIN SLOTS

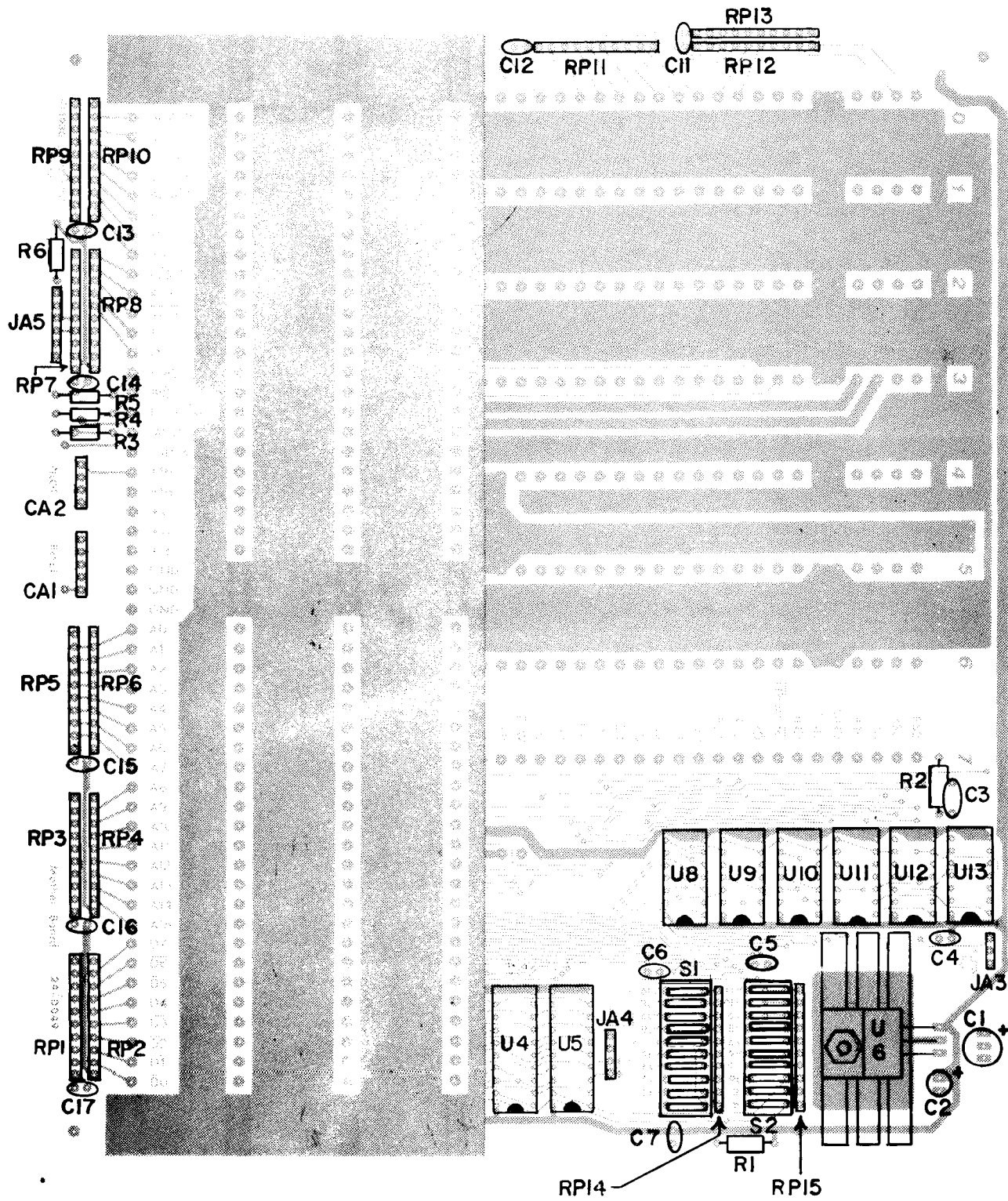
+16 → +16 TO 50 AND 30 PIN SLOTS

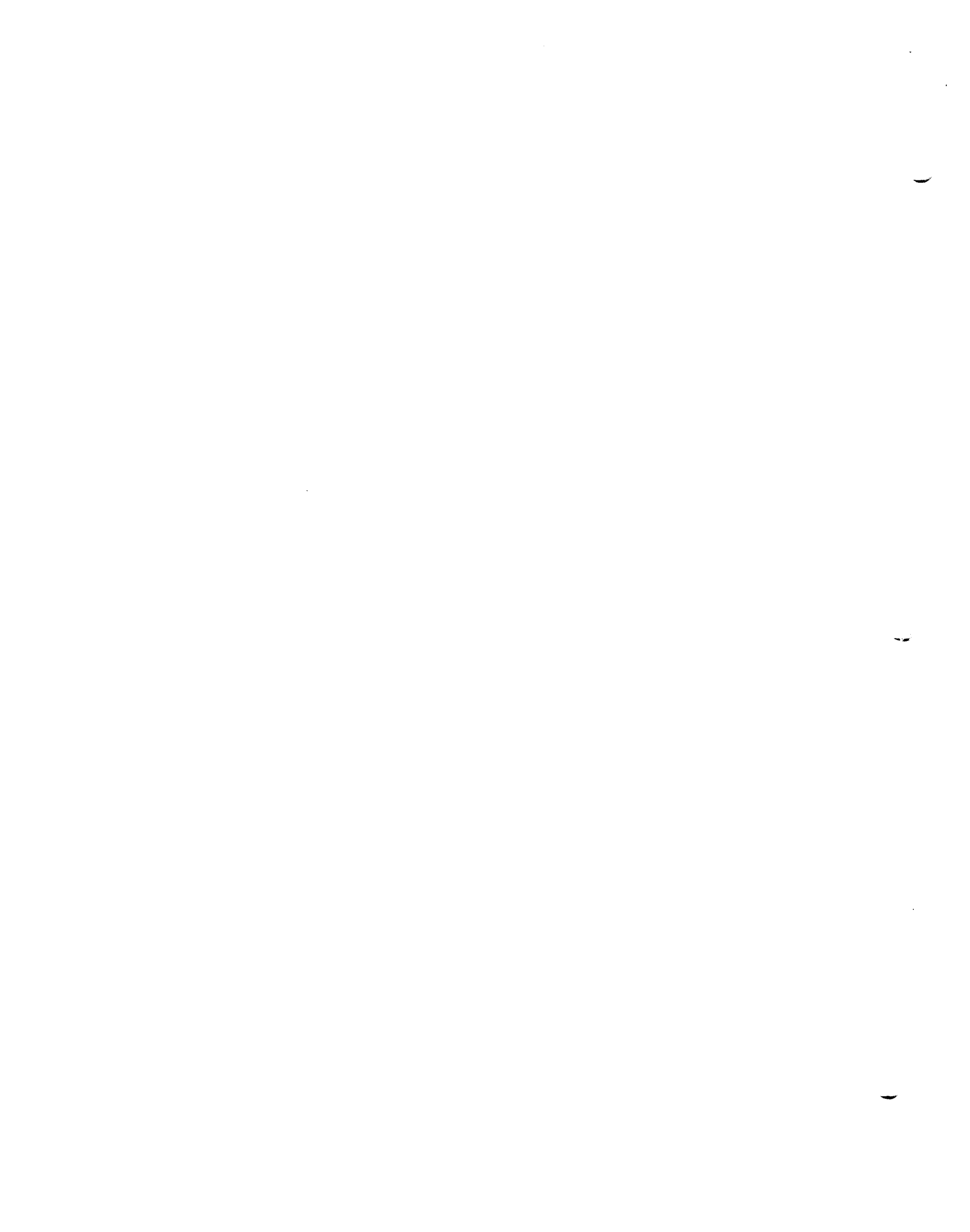
-16 → -16 TO 50 AND 30 PIN SLOTS

GND → GND TO ALL 50 AND 30 PIN SLOTS

→ 30 PIN BUS
→ 50 PIN BUS

GIMIX INC. 1337 W. 37TH PLACE, CHICAGO, ILL. 60609	
1-5-81	
MOTHER BOARD	
PROPRIETARY MAT'L. ALL RIGHTS RESERVED ©1981 GIMIX INC.	L24-0049





GIMIX BAUD RATE GENERATOR BOARD

This board is a companion board to the GIMIX 6800/6809 mother board. It plugs into a special 10 pin slot on the motherboard to provide Baud rate clocks for serial I/O interfaces. It can also be adapted for use in other systems that need a baud rate generator.

FEATURES

- * 11 standard baud rates from 75 to 38.4K
- * Easy jumper selection of baud rates
- * Fully buffered output
- * Provisions for software baud rate select controlled by the output of an external parallel port

JUMPER OPTIONS

BAUD RATE GROUP SELECT JA-1

The MC14411 can be programmed to provide one of four groups of output frequencies by applying the proper voltage levels to its RATE SELECT (A) and RATE SELECT (B) inputs. Jumper area JA-1 is used to program the MC14411 for the desired group. The RATE SELECT (B) input is normally tied HIGH (1) by a PC board trace and jumper blocks are used to tie RATE SELECT INPUT (A) either LOW (0) or HIGH (1) to select either the LOW GROUP or the HIGH GROUP. See the MC14411 data sheet for more information. The following table shows the baud rates available at the BAUD RATE SELECT JUMPERS when either group is selected.

JUMPER POSITION	LOW GROUP	HIGH GROUP
X	*	*
75	75	300
110	110	440
150	150	600
300	300	1200
600	600	2400
1200	1200	4800
2400	2400	9600
4800	4800	19.2K
9600	9600	38.4K

* The baud rate on this line is determined by the software select option.

NOTE: All references to baud rates assume a serial interface that requires a 16X baud rate clock. The actual clock frequency generated is 16 times the figure shown for baud rate.

To select the LOW GROUP jumper pad (A) to (G) at JA-1. To select the HIGH GROUP jumper (A) to (+5).

BAUD RATE SELECT JUMPERS

Five double rows of jumper pins are used to connect the desired baud rate to the baud rate lines of the bus. These strips; labeled A, B, C, D, and E, correspond to the 110, 150, 300, 600, and 1200 baud lines on the bus respectively. The following example illustrates some sample jumper connections:

	A	B	C	D	E
X	***
75
110
150
300	***
600
1200	***
2400
4800
9600	. .	***

*** = jumper installed

In the above example the following baud rates are selected; assuming the LOW GROUP is selected at JA-1. If the HIGH GROUP is selected the baud rates shown below are multiplied by 4; 9600 baud becomes 38.4K etc.

BUS LINE	BAUD RATE
110(A)	SOFTWARE SELECT
150(B)	9600
300(C)	300
600(D)	NONE
1200(E)	1200

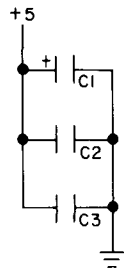
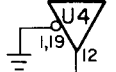
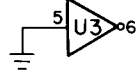
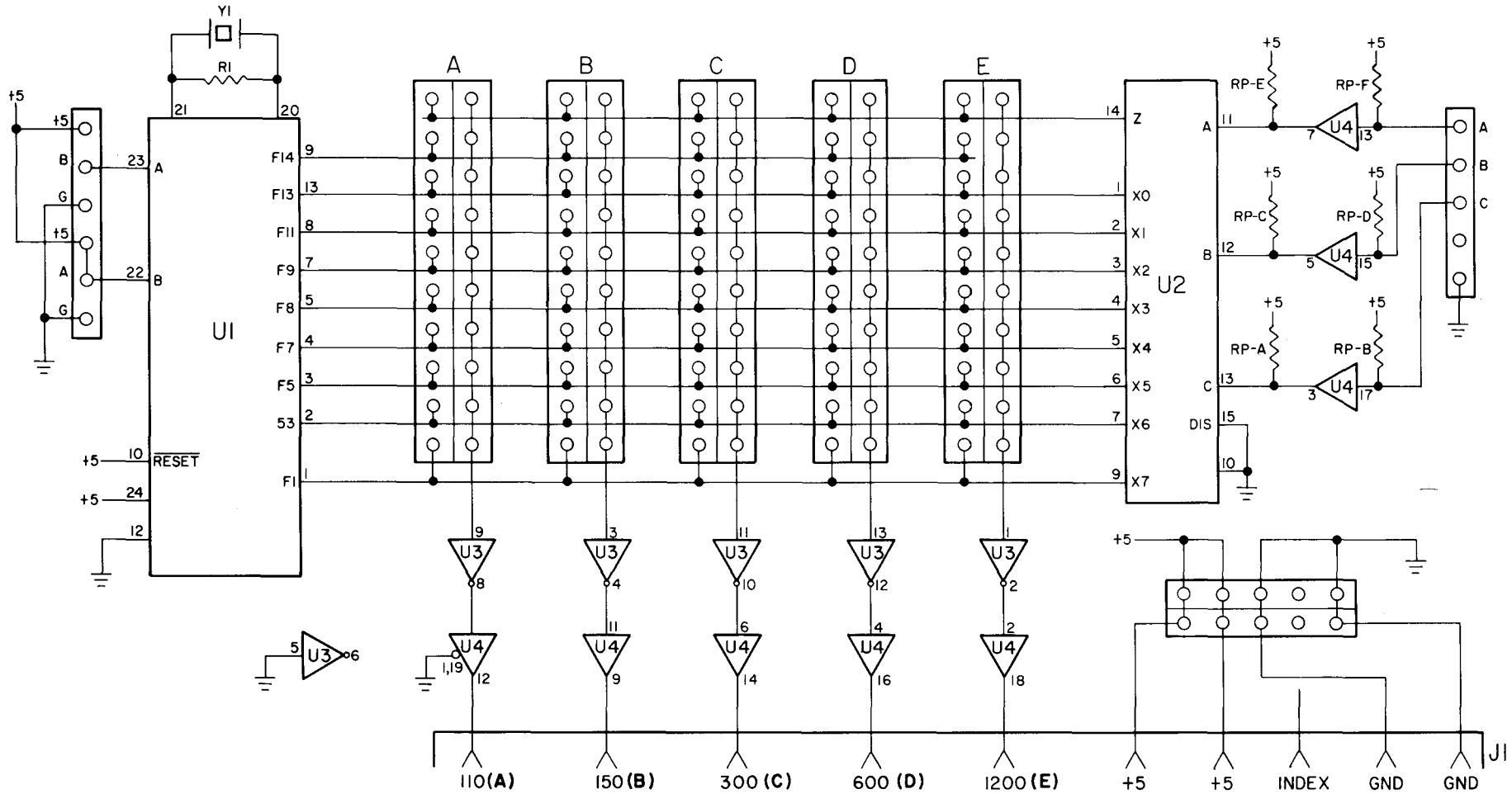
SOFTWARE BAUD RATE SELECT

The board can be connected to the output of an external parallel port to permit software selection of baud rates. The software selected rate is available at the jumpers labeled X and can be connected to any of the baud rate lines on the bus.

The 3 input lines for software selection are available at the connector CA-1. These are LS TTL inputs and the binary data placed on the lines selects 1 of 8 possible baud rates. The line labeled "A" is the least significant, and "C" is the most significant bit.

Any of the 8 fastest baud rates, 110 through 9600 if the LOW GROUP or 440 through 38.4K if the HIGH GROUP is selected, can be software selected. The baud rates are selected sequentially with "000" on the select inputs selecting the slowest rate and "111" selecting the fastest.

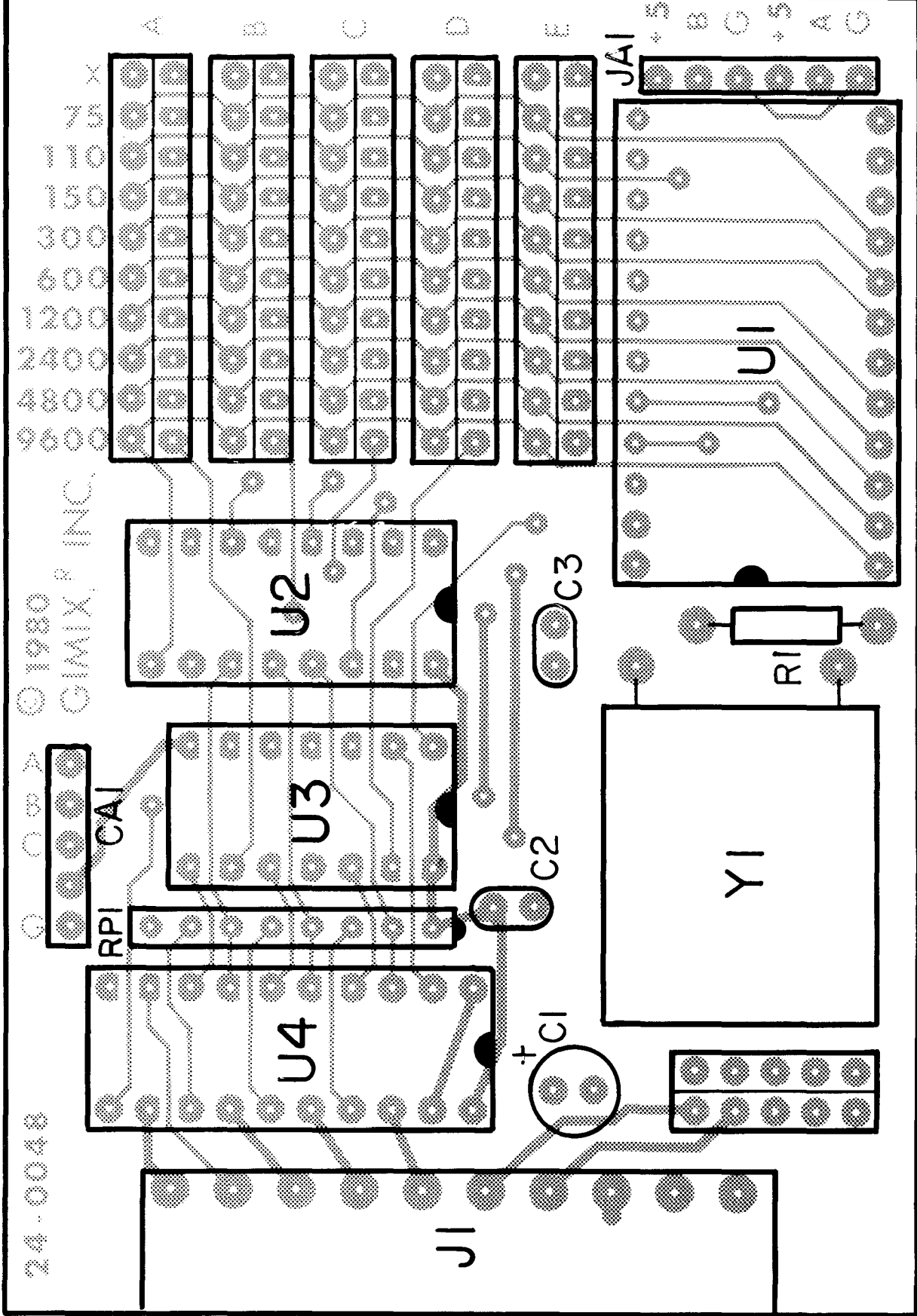
The select inputs do not latch the input data. Any time the input data changes the baud rate will change.



GIMIX INC.		
1337 W. 37th PLACE, CHICAGO, IL. 60609		
7-25-80		<i>Davis</i>
BAUD RATE GENERATOR CARD		
PROPRIETARY MAT'L., ALL RIGHTS RESERVED		L24-0049
©1980 GIMIX INC.		

24-0048

© 1980
GIMIX, INC.



COMPONENT LAYOUT